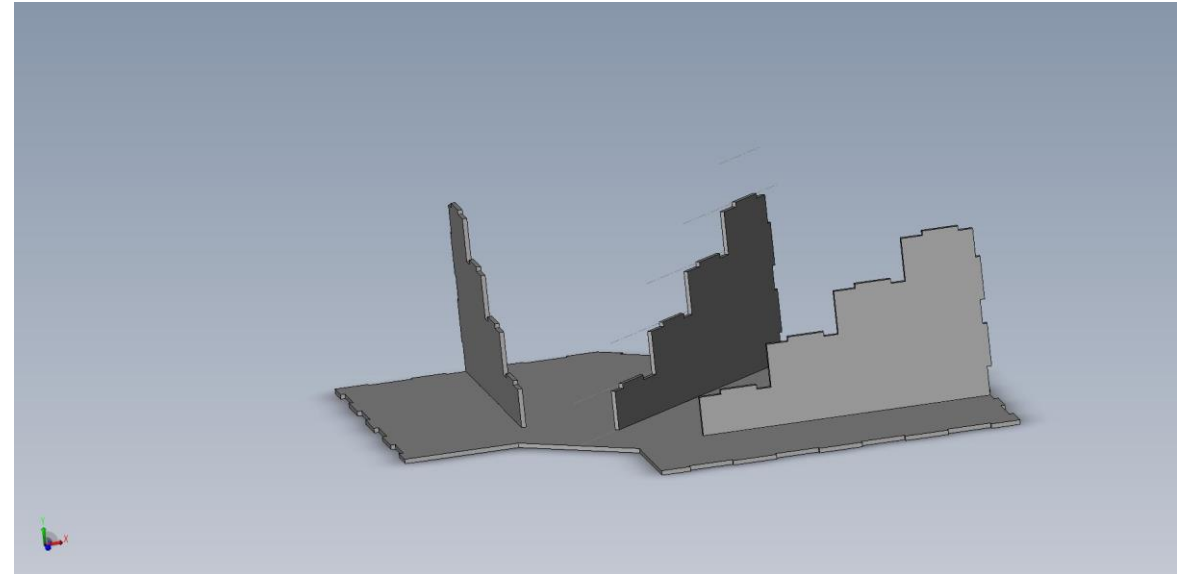
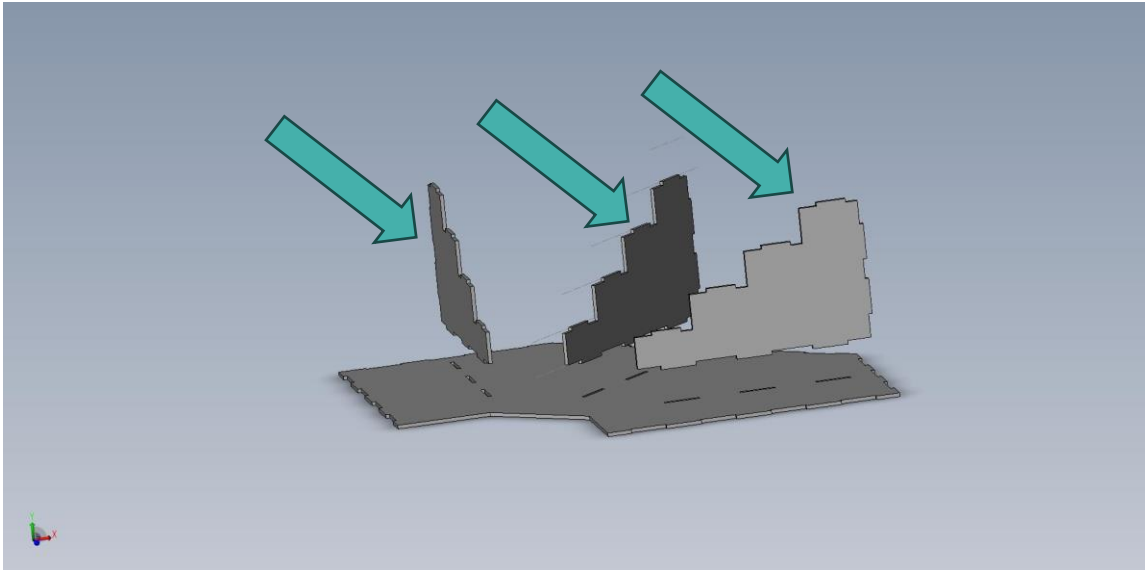
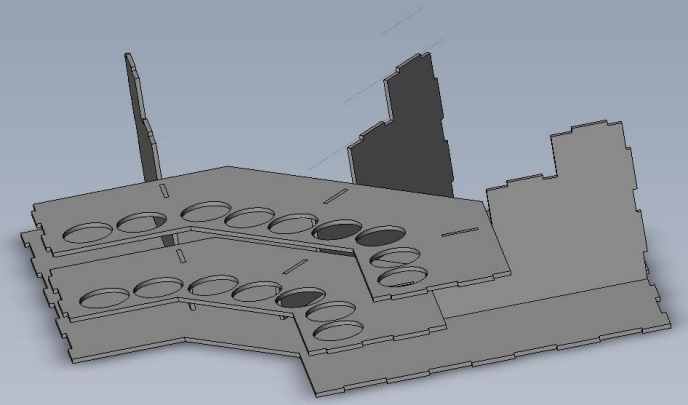
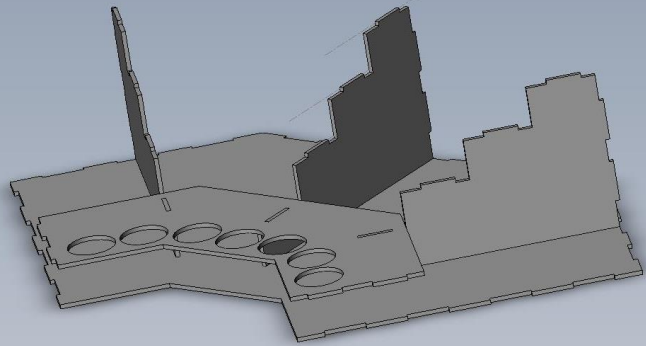

Corner Unit Paint Rack

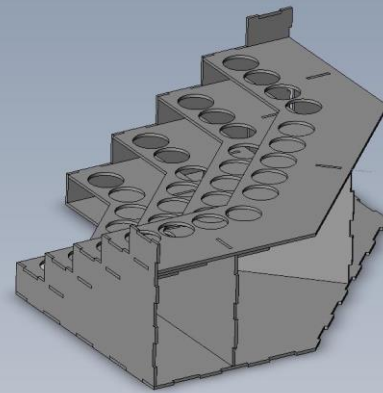
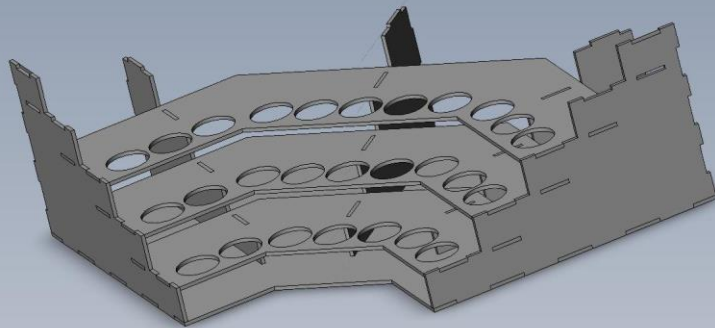
Assembly Guide

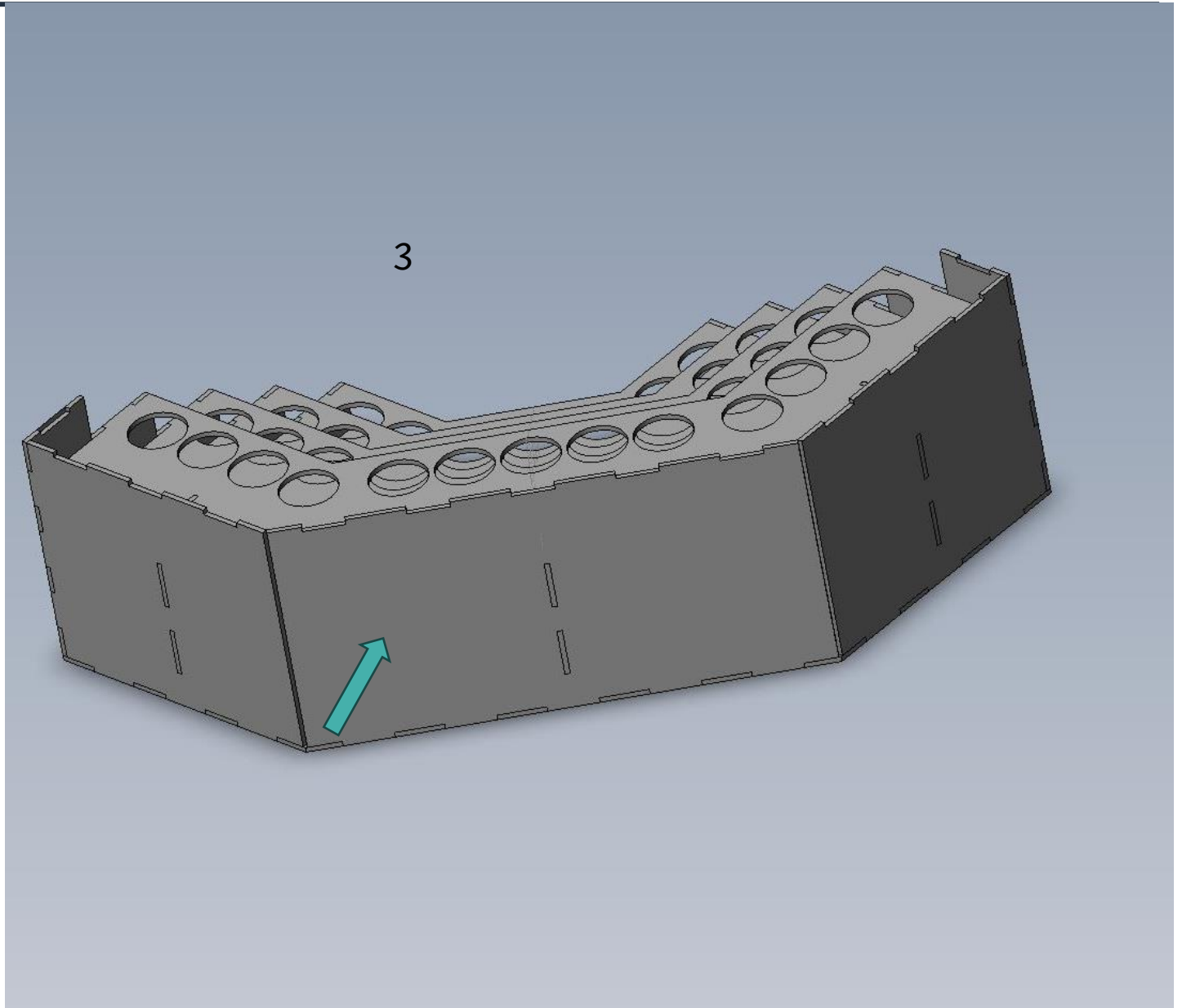
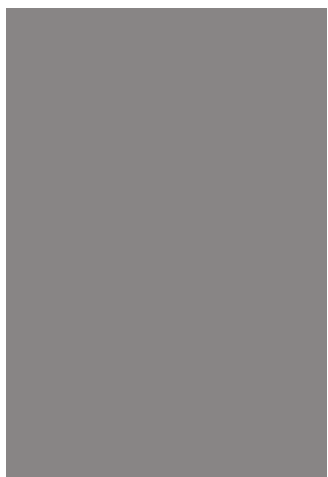
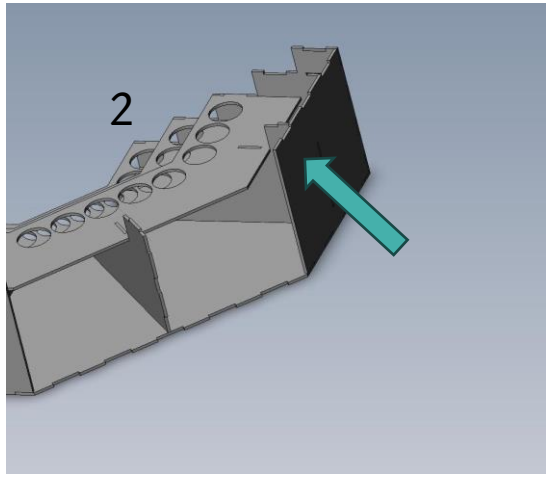
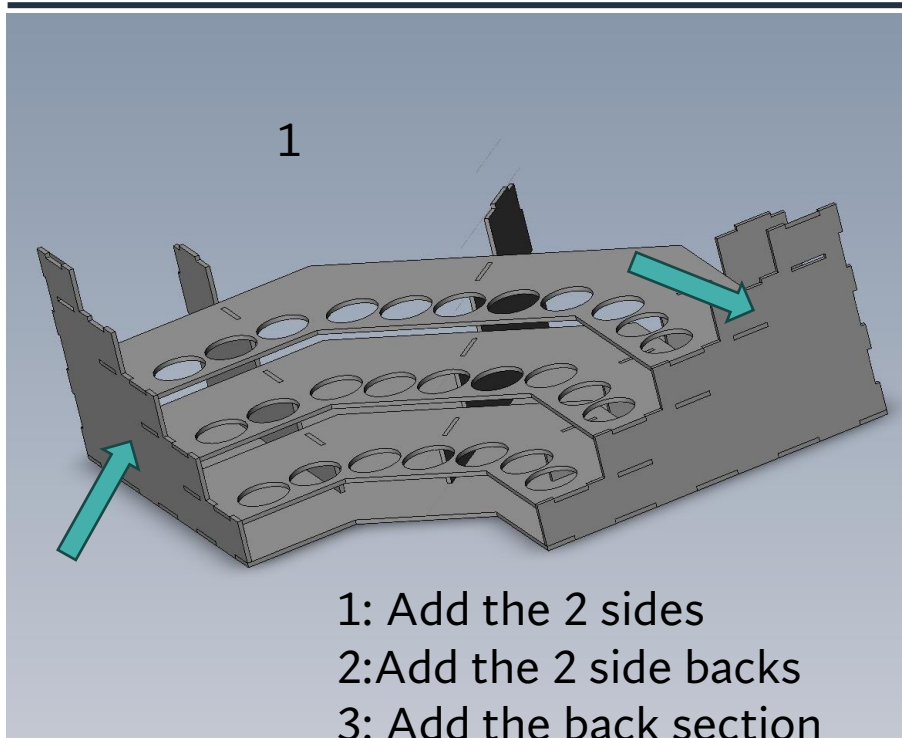
Insert the 3 inner
supports 1st to the
base





Starting with the
lowest holder glue
the first 4 in Place





**Lastly add the
top holder**

