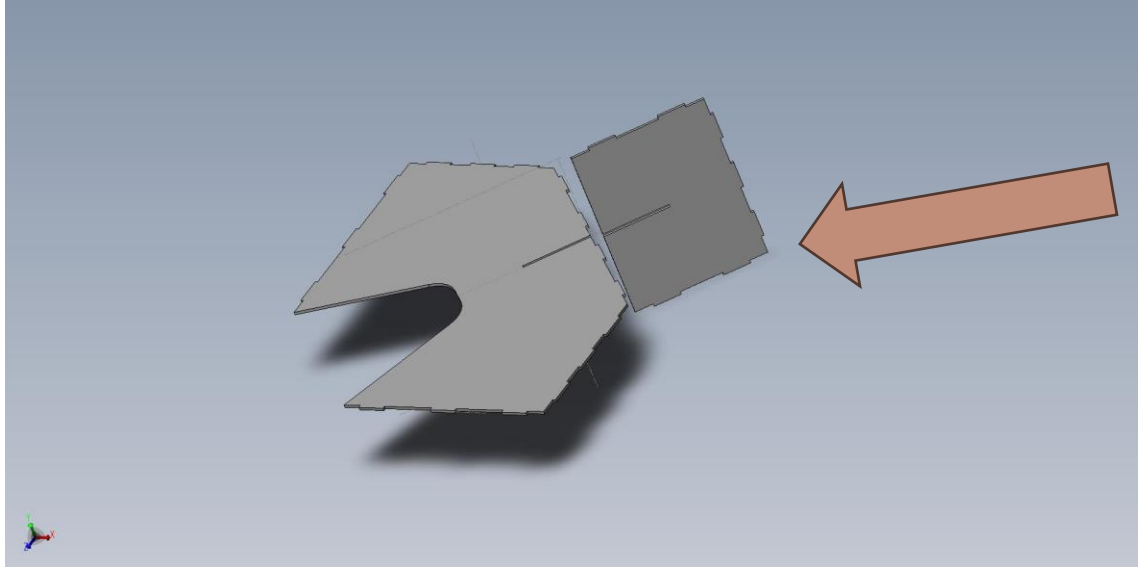
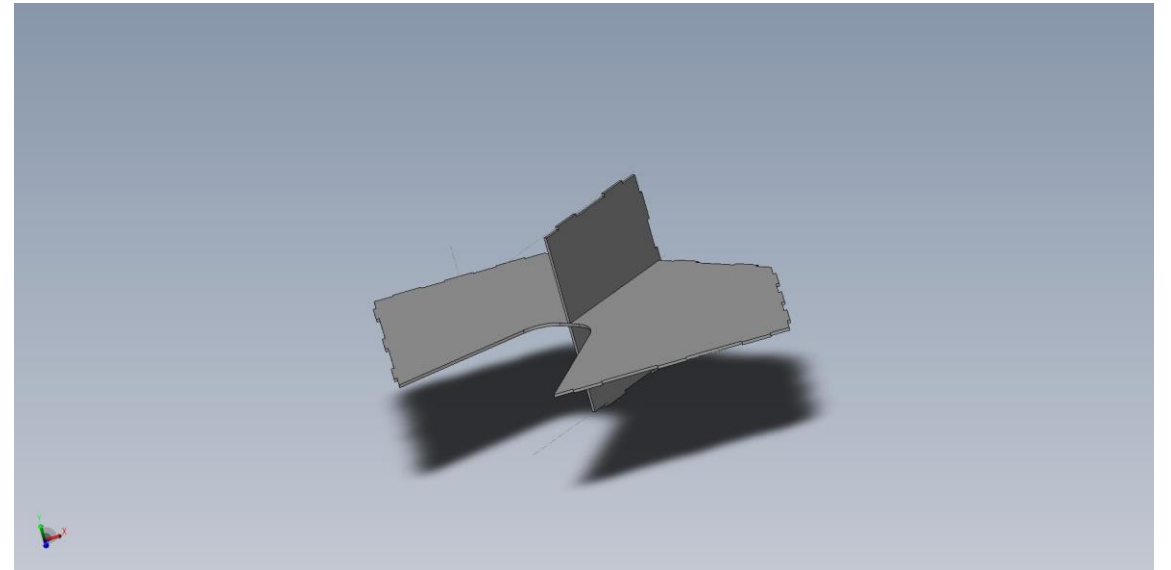
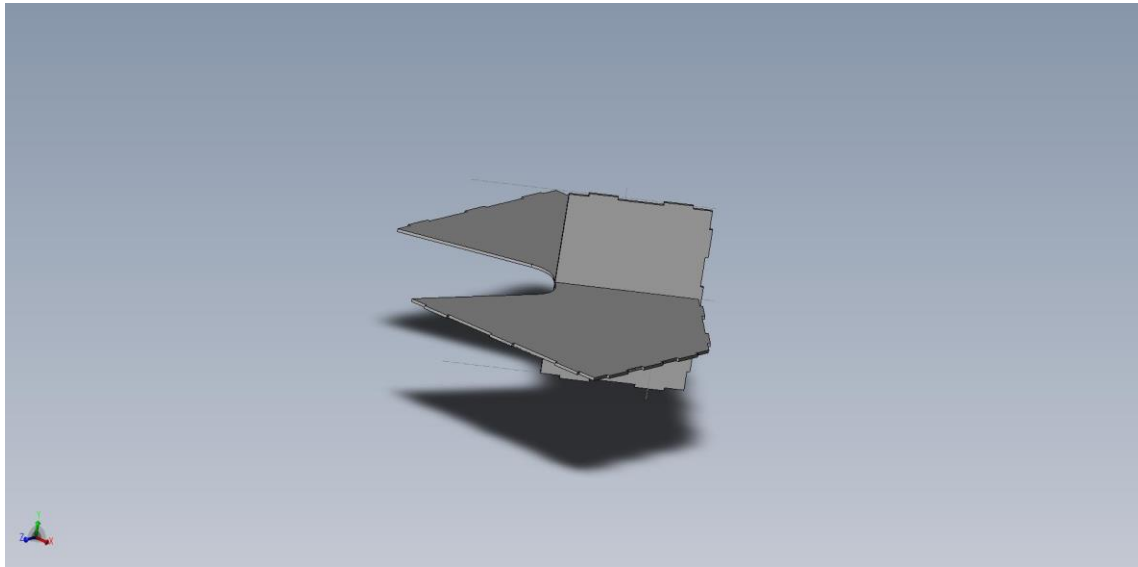


PAINT RACK BASE

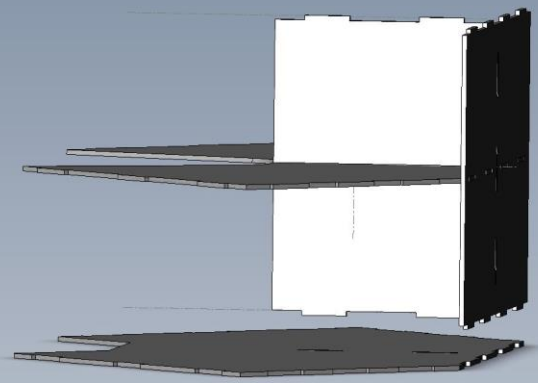
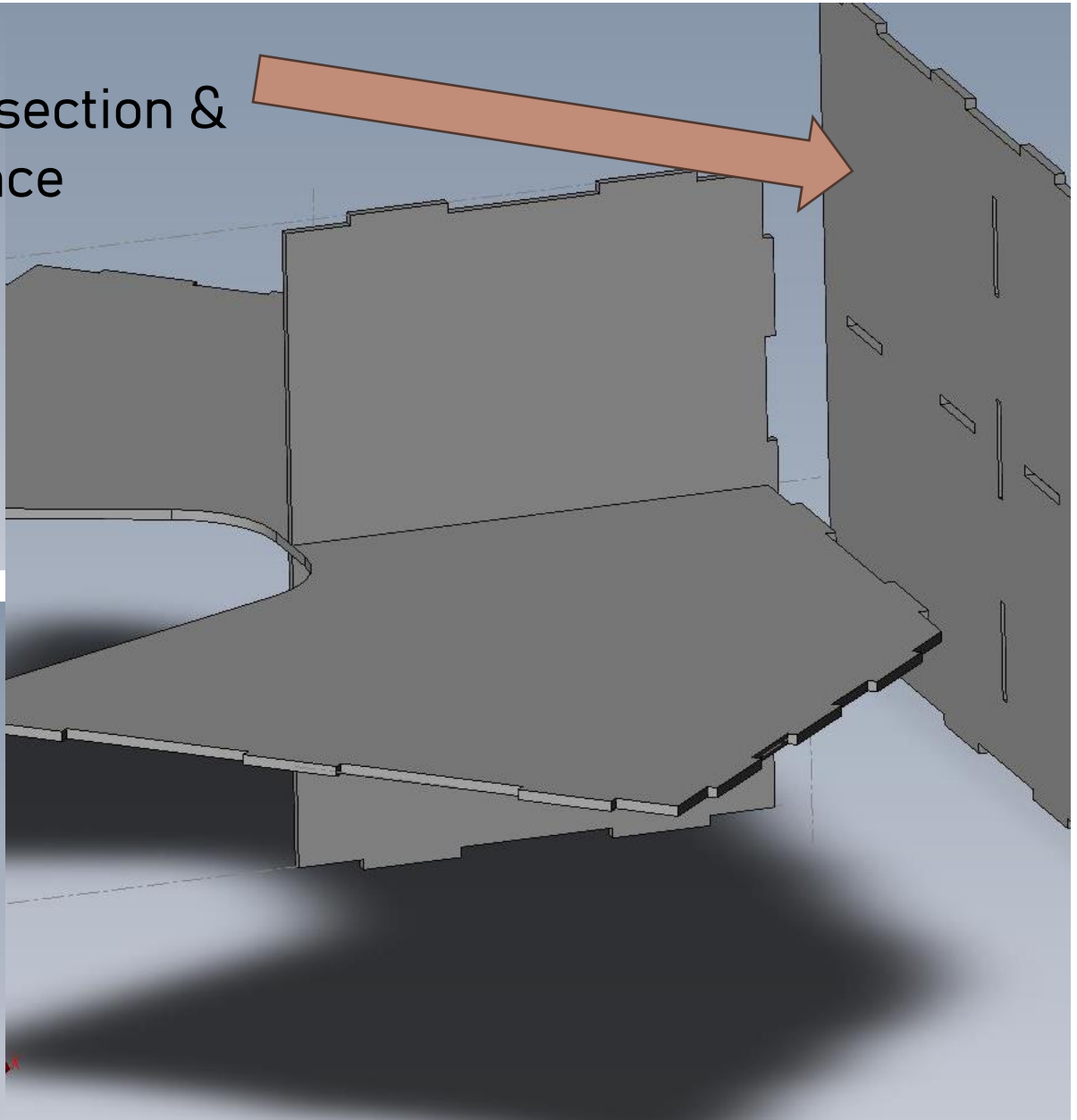
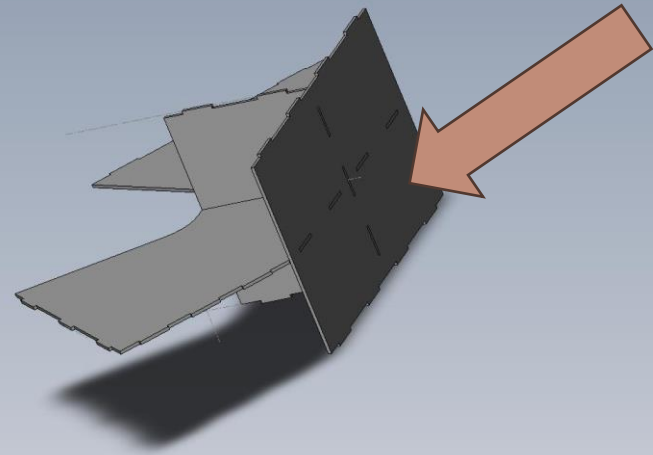
Assembly Guide

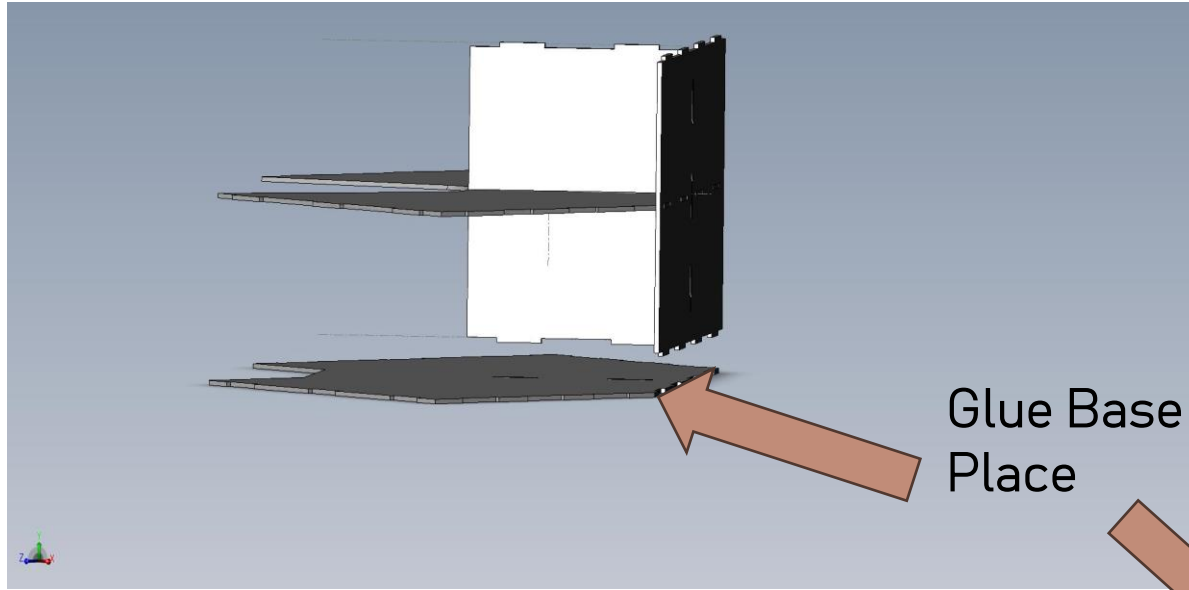


Insert middle support to shelf

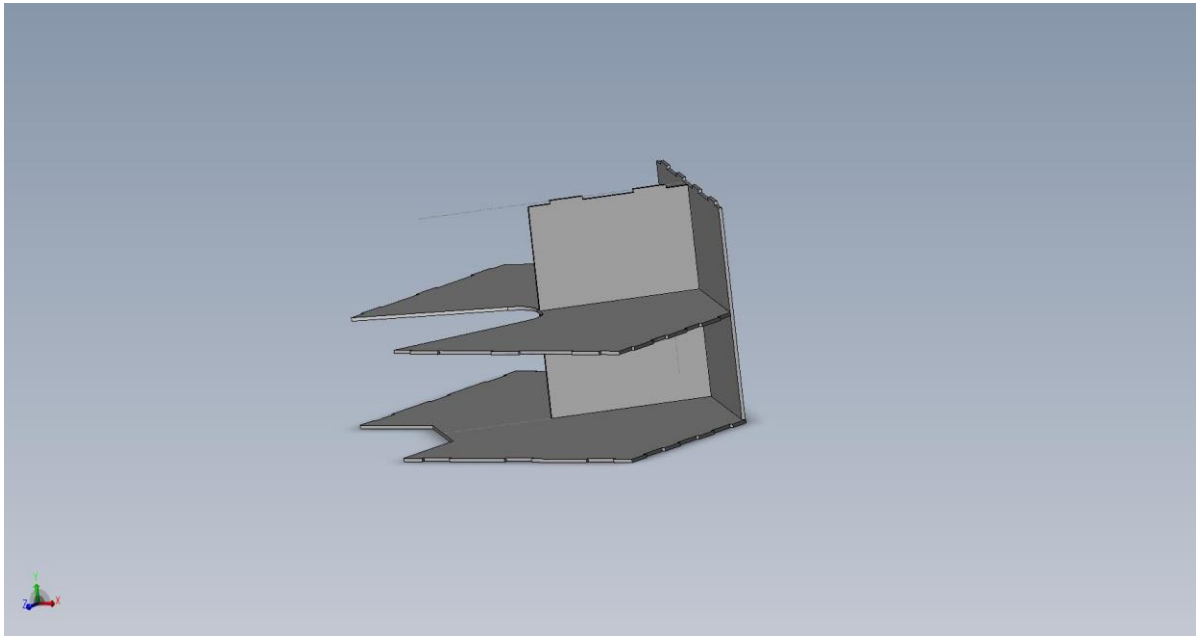
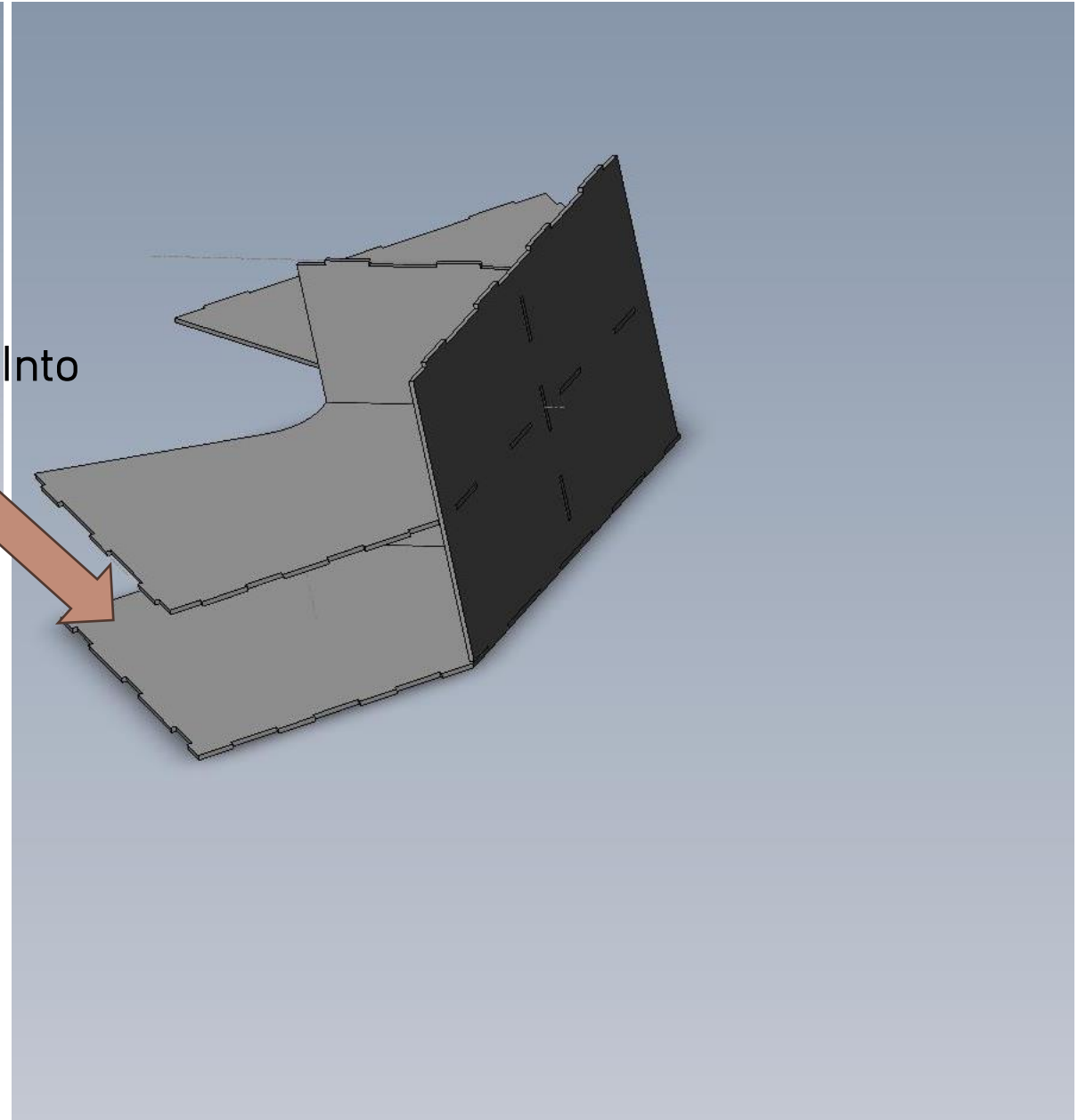


Add back section & glue in place





Glue Base Into Place



Finally Glue top in place

