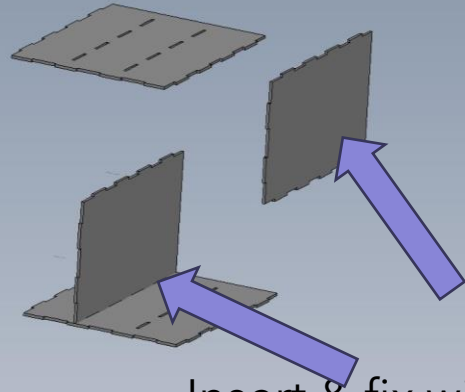


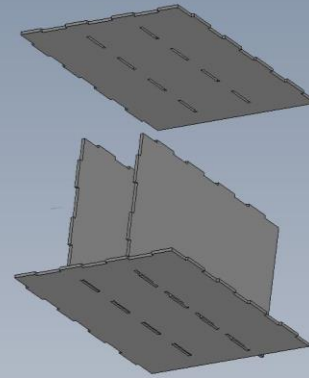
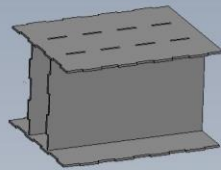
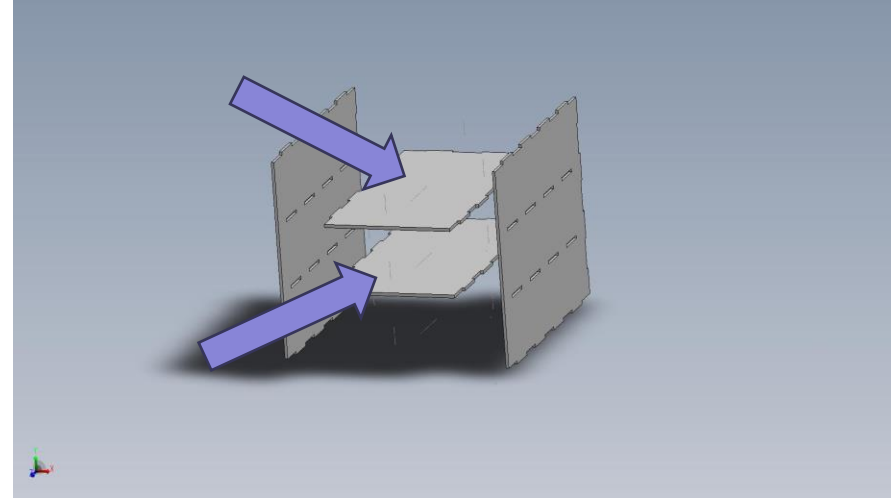
Storage Cabinets
2 Drawer
3 Drawer
4 Drawer

Assembly Guides

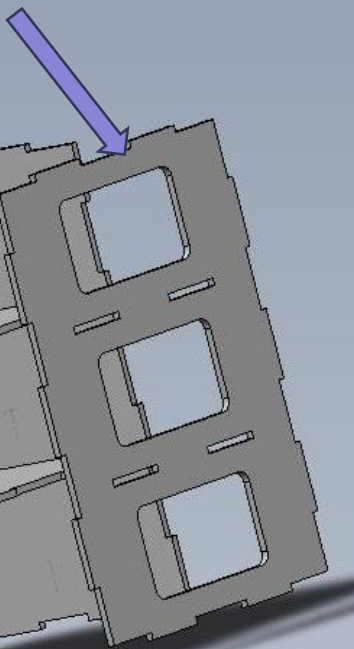




Insert & fix with
glue shelves to the
sides



Glue the back section
in place



Glue the
top &
bottom
sections in
place.

